

M101Q8-ME

10.1" Qualcomm® Snapdragon™ 660 Android Healthcare Rugged Tablet



KEY FEATURES

- Qualcomm® SDA660 Kryo 260 CPU + Octa-core up to 2.2GHz, Android Healthcare tablet
- 10.1" (1920 x 1200) TFT LCD Display, Android Healthcare tablet
- 3 GB RAM + 32 GB eMMC
- Housing enhanced with antimicrobial properties
- Lightweight, rugged, IP65 waterproof and dustproof
- 13 MP Camera in Rear Side (with LED auxiliary light, Auto Focus)
- 8 MP Camera in Front Side

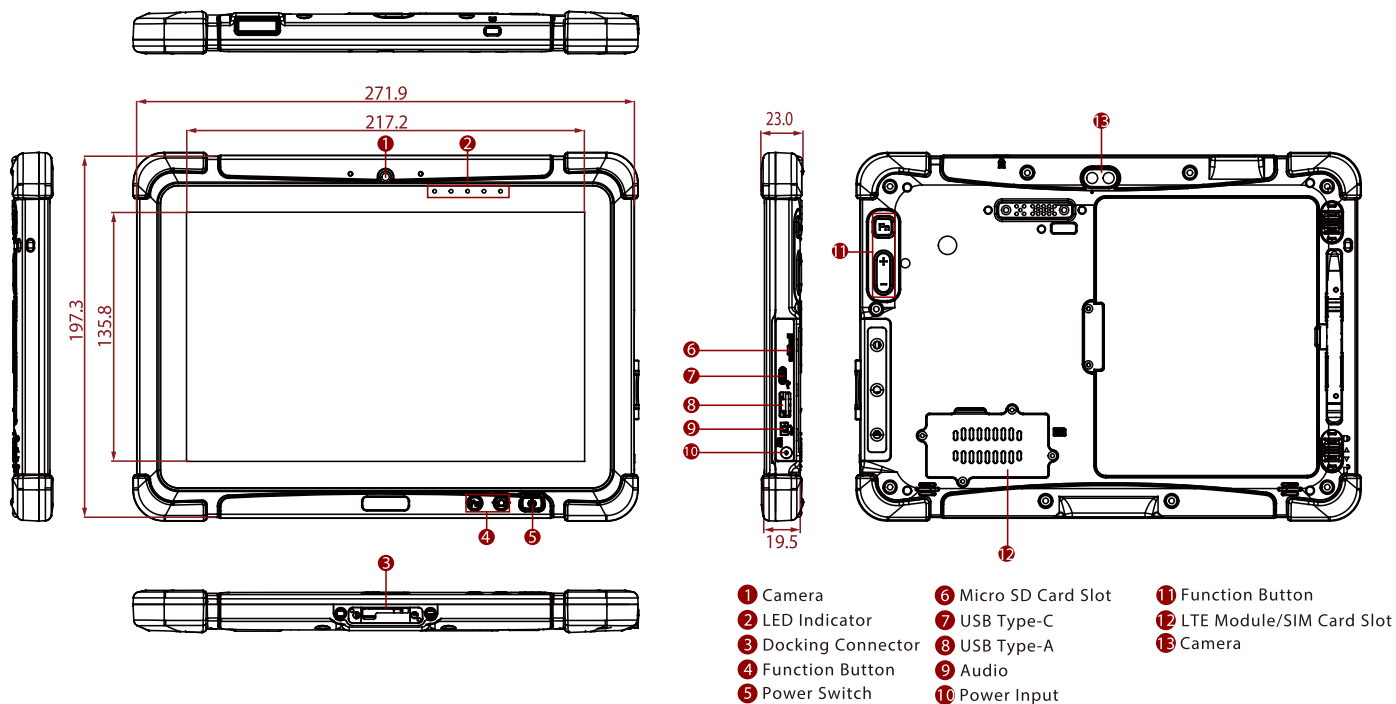


SPECIFICATIONS

Display	
Resolution	1920x1200
Contrast Ratio	800:1
View Angles	85,85,85,85
Type	Projected Capacitive Multi Touch
Touch Mode	Support Hand / Gloves and Rain Mode
Size	10.1 inches
Panel Brightness	800 nits
Bonding	Optical Bonding for Sunlight Viewability
Viewability	Anti-Glare touch treatment
System Specification	
Processor	Qualcomm® Snapdragon™ 660 (Octa-Core 2.2 GHz)
Storage	32GB
WLAN	Support
GNSS	GPS/GLONASS
Sensors	Ambient Light Sensor, E-Compass, Gyro, Acceleration Sensors
Memory	3GB
Operating System	Android 9.0
BT	Support
RFID	Default RFID (Read / Write, Peer to Peer mode)
Camera	
Front Camera	8MP Camera
Rear Camera	13MP Camera with LED Auxiliary Light (Auto Focus)
Mechanical	
Dimension	271.9 x 197.3 x 19.5 mm
Weight	1.2 kg (2.65 lbs)
Cooling System	Fanless Design
IO Ports	
USB Port	1 x USB 3.0 Type C OTG 1 x USB 2.0 Type A
SD Card Slot	1 x Micro SD Card Slot
SIM Card Slot	1 x SIM Card Slot
Audio	1 x Audio Combo connector (Mic in or Line Out) 1 x Built-in Mic 2 x Speaker
Indicator	1 x LED Indicators (Power, Battery)
Docking Connector	1 x Docking Connector
Environment	
Operating Humidity	10% to 90% RH, Non-Condensing
Operating Temperature	0°C to 35°C (Battery mode)
Storage Temperature	-40°C to 70°C
Shock	MIL-STD-810G Method 516.6 Procedure I

Vibration	MIL-STD-810G Method 514.6 Procedure I	IP rating	IP65
Drop	MIL-STD-810G Method 516.6, 4 ft	ESD	Contact 8KV/ Air 15KV (Criteria A)
Certification			
Certification	CE, FCC, IC IEC 60601-1, IEC 60601-1-2, EN 60601-1, ANSI/AAMI ES 60601-1		
Control			
Button	1 x Volume +/-, 1 x Home Button, 1 x ,Return Button, 1 x Power Button, 1 x Function Button		
Power			
Battery	7.4V, typ. 5140 mAh LiPolymer Battery (2S1P) (BS101) Warm swappable function (Optional)	Battery Operating Time	8Hr
Power Rating	19V	Adapter	MFR / model: EDAC / EM10683V & EM10681V Input: 100-240Vac, 2.0-1.0A, 50-60Hz Output: 19VDC, 3.78A
Security Function			
SOTI MobiControl	SOTI MobiControl Compliance	Kensington Lock	Kensington Lock
Accessory			
Accessory	Adapter and Power Cord Standard Battery Capacitive Stylus	Optional Accessory	Desk Dock Vehicle Dock (without VGA output) Vehicle Cradle Battery Charger Hand Strap VESA Mount Kit Shoulder Strap Carry Bag Vehicle Charger Micro SD Card HDMI Adapter
Barcode Scanner			
Barcode Scanner	1D/2D Barcode Reader (Optional)		

DIMENSIONS UNIT:MM



NOTE

1. Total usable memory will be less depending upon actual system configuration.
2. The USB Type-C connector follows USB 3.0 standard, which does not support Alternate Mode (ALT) or USB Power Delivery (USB-PD).
3. Length measurements do not include protrusions. Weight varies with optional functions.
4. The drop test with high-capacity battery must come with hand strap.
5. Measured at dimming LCD brightness. Varies depending on the usage conditions, or when an external device is attached.
6. Accessories and Integrated Options may vary depending on your configuration.
7. This is a simplified drawing and some components are not marked in detail.