

# S101M9L

## 10.1" ARM A73 + A53 Rugged Android Tablet



### KEY FEATURES

- 10.1" 1280 x 800 TFT LCD Display, rugged android tablet
- 8.0 MP Camera in Front Side
- 13.0 MP Rear Camera (with LED auxiliary light, Auto Focus)
- 4 GB RAM + 32 GB eMMC
- Android™ 11.0
- Integrated 1D/2D Barcode Reader (Optional)
- Integrated NFC Module (Optional)

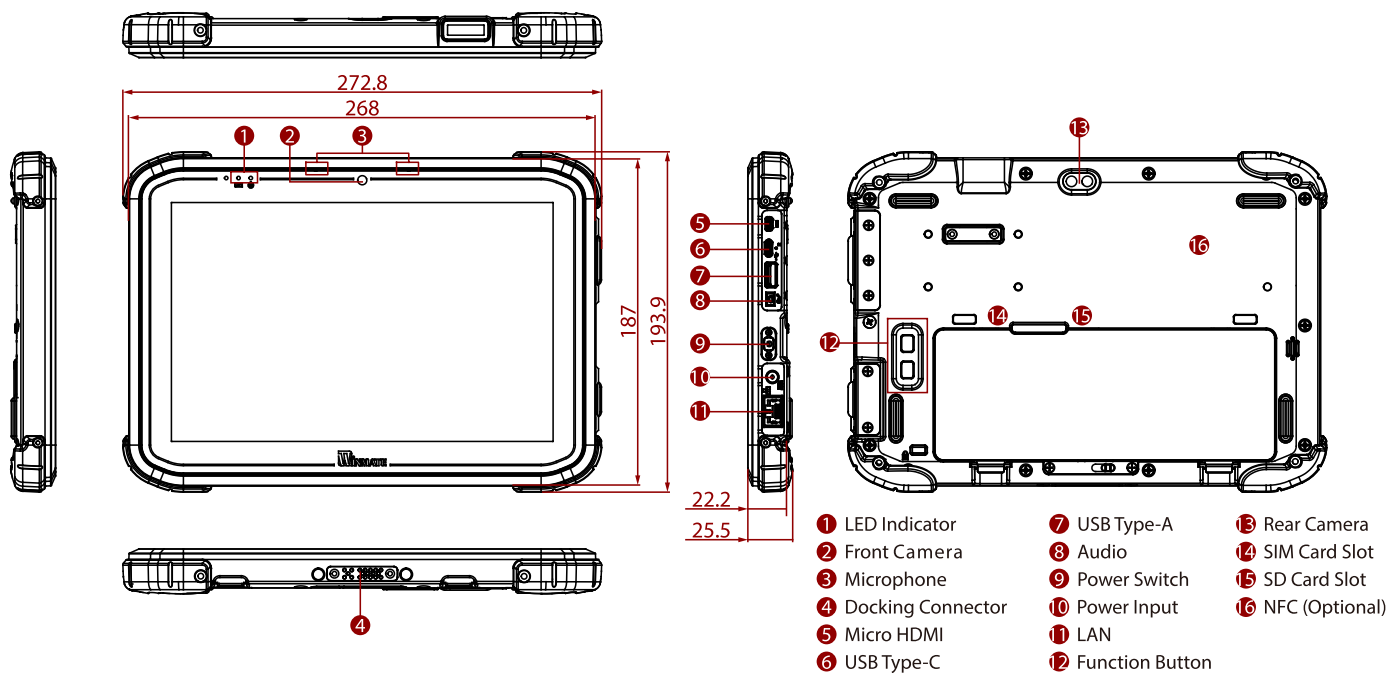


### SPECIFICATIONS

Display			
<b>Bonding</b>	Optical Bonding for Sunlight Viewability	<b>Type</b>	Projected Capacitive Multi Touch
<b>Viewability</b>	Anti-Glare touch treatment	<b>Touch Mode</b>	Support Hand / Gloves and Rain Mode
<b>Resolution</b>	1280x800	<b>Size</b>	10.1 inches
<b>Contrast Ratio</b>	1000:1	<b>Panel Brightness</b>	400 nits
<b>View Angles</b>	80,80,80,80		
System Specification			
<b>Processor</b>	ARM A73 x 4 (2.0 GHz) + A53 x 4 (2.0 GHz)	<b>Memory</b>	4GB
<b>Storage</b>	32GB	<b>Operating System</b>	Android 11.0
<b>WLAN</b>	Support	<b>BT</b>	Support
<b>WWAN</b>	4G/LTE (Optional)	<b>GNSS</b>	GPS/GLONASS
<b>RFID</b>	NFC (Read / Write, Peer to Peer mode) (Optional)	<b>Sensors</b>	Ambient Light Sensor, E-Compass, Gyro, Acceleration Sensors
Camera			
<b>Front Camera</b>	8MP Camera	<b>Rear Camera</b>	13MP Camera with LED Auxiliary Light (Auto Focus)
Mechanical			
<b>Dimension</b>	268 x 187 x 22.2 mm	<b>Weight</b>	1.0 kg
IO Ports			
<b>USB Port</b>	1 x USB Type C OTG 1 x USB Type A	<b>SD Card Slot</b>	1 x Micro SD Card Slot
<b>SIM Card Slot</b>	1 x SIM Card Slot	<b>Video</b>	1 x Micro HDMI (Optional)
<b>Audio</b>	1 x Audio Combo connector (Mic in or Line Out) 1 x Speaker	<b>LAN</b>	1 x RJ45
<b>Indicator</b>	2 x LED Indicators (Power, Battery)	<b>Docking Connector</b>	1 x Docking Connector
Environment			
<b>Operating Humidity</b>	10% to 90% RH, Non-Condensing	<b>Operating Temperature</b>	-10°C to 50°C (Battery mode)
<b>Storage Temperature</b>	-30°C to 70°C	<b>Shock</b>	MIL-STD-810H Method 516.8 Procedure I
<b>Vibration</b>	MIL-STD-810H Method 514.8 Procedure I	<b>IP rating</b>	IP65, Compliance IEC60592

<b>Drop</b>	MIL-STD-810H Method 516.8, 4 ft		
<b>Certification</b>			
<b>Certification</b>	CE, FCC		
<b>Control</b>			
<b>Button</b>	1 x Power Button, 2 x Function button		
<b>Power</b>			
<b>Battery</b>	11.4V, typ. 3500 mAh Li-Ion Battery(39.9Wh), Support Warm Swap function (Optional)	<b>Battery Operating Time</b>	10Hr
<b>Power Rating</b>	19V	<b>Adapter</b>	19V 3.42A Adapter
<b>Security Function</b>			
<b>SOTI MobiControl</b>	SOTI MobiControl Compliance	<b>Kensington Lock</b>	Kensington Lock
<b>Barcode Scanner</b>			
<b>Barcode Scanner</b>	1D/2D Barcode Reader (Optional)		
<b>Accessory</b>			
<b>Accessory</b>	Adapter and Power Cord Standard Battery	<b>Optional Accessory</b>	Hand Strap Shoulder Strap Battery Charger Capacitive Stylus Vehicle Charger Vehicle Docking Carry Bag Desk Dock Micro SD Card HDMI Adapter

## DIMENSIONS UNIT:MM



## NOTE

1. This is a simplified drawing and some components are not marked in detail.
2. Please contact our sales representative if you need further product information.
3. All specifications are subject to change without prior notice.
4. The product shown in this datasheet is a standard model. For diagrams that contain customized or optional I/O, please contact the Mobexx Sales Team for more information.
5. Total usable memory will be less depending upon actual system configuration.
6. Length measurements do not include protrusions. Weight varies with optional functions.
7. Measured at dimming LCD brightness. Varies depending on the usage conditions, or when an external device is attached.
8. Accessories and Integrated Options may vary depending on your configuration.
9. Battery operating time will be varied by using scenarios.