

# M101S-EX

## 10.1" ATEX Rugged Tablet with Intel® Core™ i5-7200U



### KEY FEATURES

- Allows cross-zone operations in hazardous and explosive environments
- Ex Certificate: Class I Division 2 (CID2), ATEX/IECEX Zone 2
- 7th Gen Intel® Core™ i5-7200U Kaby lake processor
- 10.1" 1920 x 1200 IPS LED Panel with direct optical bonding
- Sunlight readable with anti-glare solution, fully ATEX tablet
- Hot-swappable battery design with optional High capacity battery pack
- IP65 waterproof and dustproof, MIL-STD-810G shock, vibration and drop resistance



### SPECIFICATIONS

Display			
<b>Resolution</b>	1920x1200	<b>Size</b>	10.1 inches
<b>Contrast Ratio</b>	800:1	<b>Panel Brightness</b>	800.0 nits
<b>View Angles</b>	85,85,85,85	<b>Type</b>	Projected Capacitive Multi Touch
<b>Viewability</b>	Anti-Glare touch treatment	<b>Bonding</b>	Optical Bonding for Sunlight Viewability
System Specification			
<b>Processor</b>	Intel Core i5-7200U 2.5GHz (up to 3.1GHz) Intel Core i5-7300U 2.6GHz (up to 3.5GHz) (Optional)	<b>Memory</b>	8GB DDR4 SDRAM 16GB DDR4 SDRAM (Optional)
<b>Storage</b>	256GB SSD Additional storage available with micro SDXC card slot 512GB SSD (Optional)	<b>Security</b>	Trusted Platform Module (TPM) 2.0 Kensington Lock
<b>Operating System</b>	Windows 10 IoT Enterprise (64 bit)	<b>WLAN</b>	Support
<b>BT</b>	Support	<b>WWAN</b>	4G LTE (Optional)
<b>GNSS</b>	GPS, GLONASS	<b>RFID</b>	HF RFID reader 13.56 MHz (Optional)
<b>Sensors</b>	Light sensor/ G-sensor / Gyro		
Camera			
<b>Front Camera</b>	2MP Front Camera	<b>Rear Camera</b>	8MP Rear Camera with auto-focus and LED light
Mechanical			
<b>Dimension</b>	271.8 x 197.2 x 21 mm (10.7 x 7.76 x 0.83 inches)	<b>Weight</b>	1.25 kg (2.75 lbs) with standard battery, 1.45 kg (3.2 lbs) with optional high capacity battery
<b>Cooling System</b>	Fan design		
IO Ports			
<b>USB Port</b>	1 x USB 3.0 (Type A), 1 x USB 3.0 (Type C)	<b>SD Card Slot</b>	1 x Micro SDXC slot
<b>SIM Card Slot</b>	1 x Micro SIM card slot	<b>Video</b>	1 x Micro HDMI (Optional)
<b>Audio</b>	1 x Audio combo 3.5mm audio combo jack Dual Digital Mic With Noise Cancellation	<b>Indicator</b>	4x LED Indicator for Power, Battery, HDD, RF status

Dual Speaker

**Docking Connector** 1 x 19-pin docking connector

### Environment

<b>Operating Humidity</b>	10% to 90% RH, non-condensing	<b>Operating Temperature</b>	-20°C to 60°C
<b>Storage Temperature</b>	-30°C to 70°C (-22°F to 158°F)	<b>Shock</b>	MIL-STD-810G Method 516.6 Procedure I
<b>Vibration</b>	MIL-STD-810G Method 514.6 Procedure I	<b>IP rating</b>	IP65
<b>Drop</b>	MIL-STD-810G Method 516.6, 4 ft		

### Certification

**Certification** CE, FCC  
Hazardous Location Safety:  
Class I Division 2, ATEX/IECEx Zone 2

### Security Function

**SOTI MobiControl** SOTI MobiControl Compliance      **Kensington Lock** Kensington Lock Support

### Control

**Button** 1 x Power, 1 x Home  
2 x volume key  
2 x Programmable function Keys

### Power

<b>Battery</b>	Hot-swappable 7.4V, typ. 5140 mAh LiPolymer Battery (2S1P)	<b>Battery Operating Time</b>	Standard. Battery: 8 hours
<b>Power Rating</b>	19V DC	<b>Adapter</b>	100-240V, 50-60Hz / 19V DC

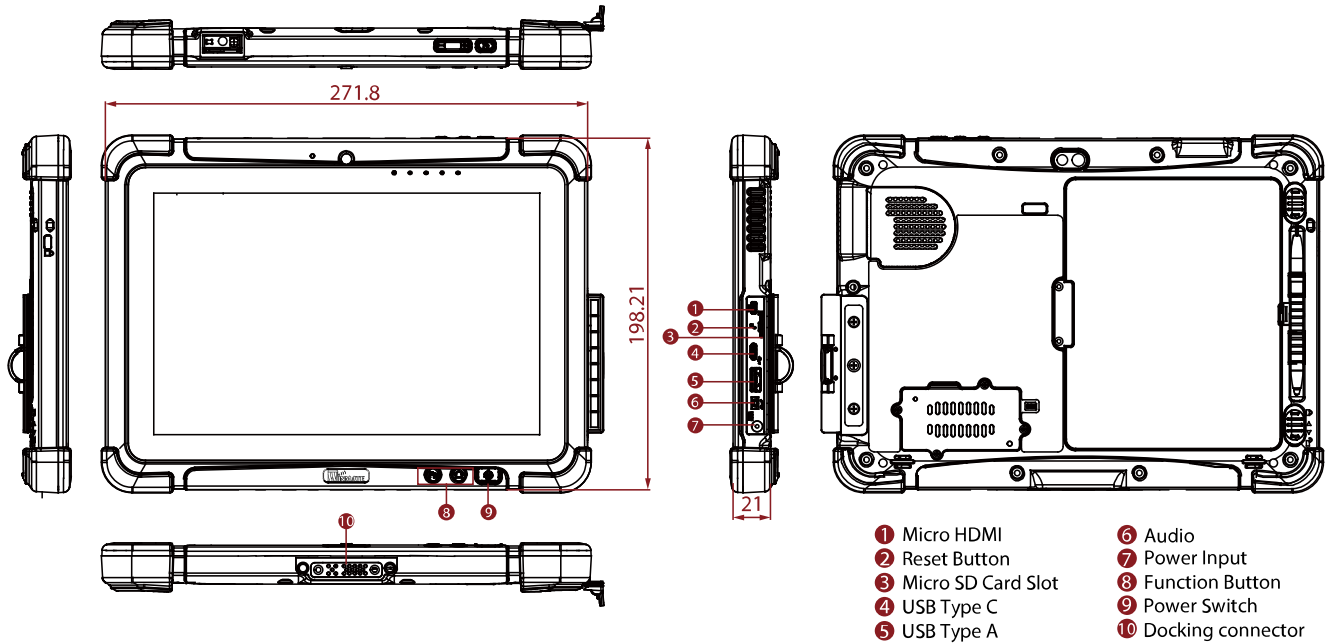
### Accessory

<b>Accessory</b>	Adapter and Power Cord Capacitive Stylus Standard Battery	<b>Optional Accessory</b>	Desk Dock (Optional) Vehicle Dock (without VGA output) (Optional) Vehicle Cradle (Optional) Vehicle Charger (Optional) High Capacity Battery (Optional) Battery Charger (Optional) Hand Strap (Optional) Shoulder Strap (Optional) Carry Bag (Optional) VESA Mount Kit (Optional)
------------------	---	---------------------------	--

### Barcode Scanner

**Barcode Scanner** 1D/2D barcode reader (Optional)

## DIMENSIONS UNIT:MM



## NOTE

1. This is a simplified drawing and some components are not marked in detail.
2. Please contact our sales representative if you need further product information.
3. All specifications are subject to change without prior notice.
4. The product shown in this datasheet is a standard model. For diagrams that contain customized or optional I/O, please contact the Mobexx Sales Team for more information.